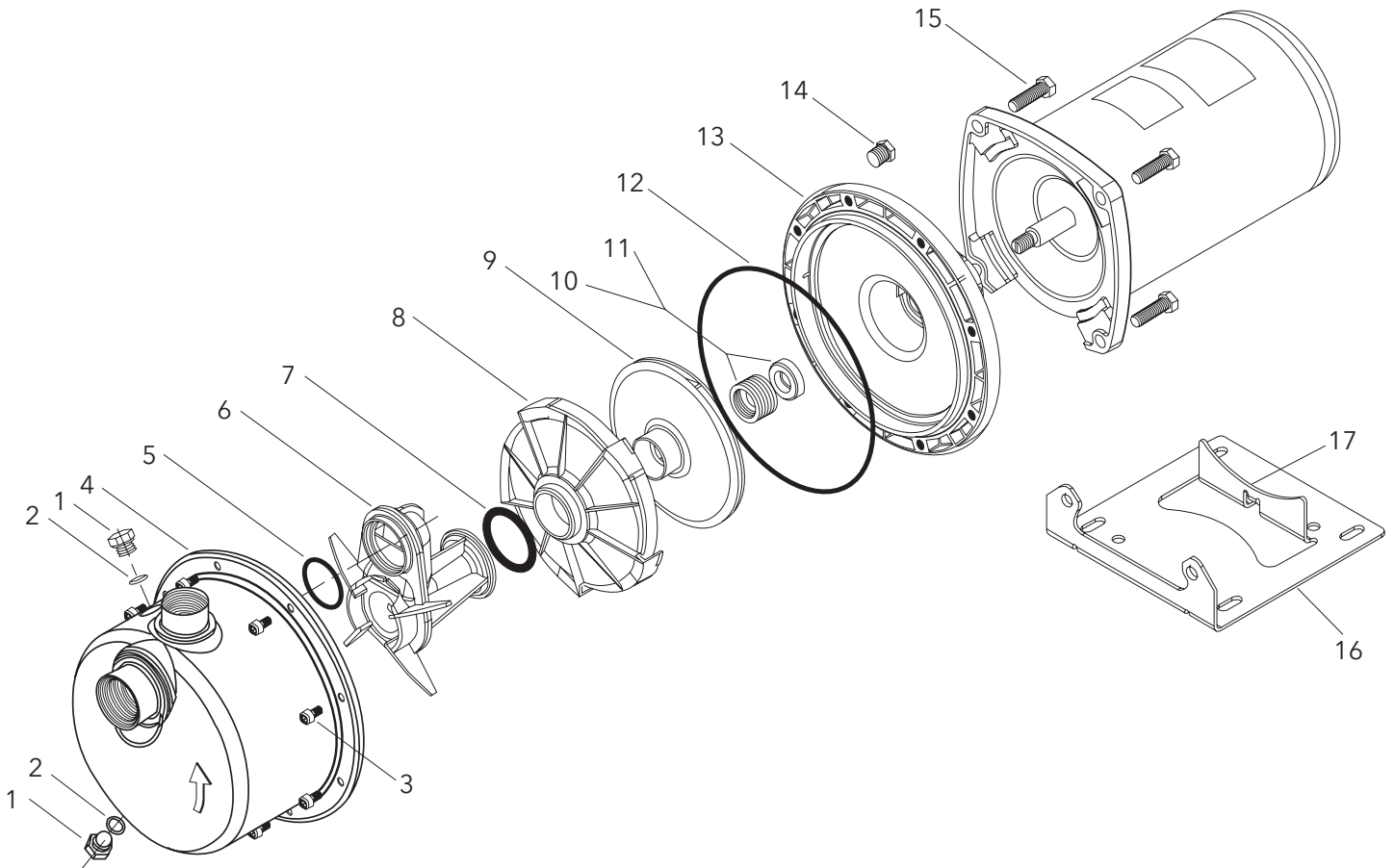


# Series LB REPAIR PARTS



Part No.	Part Description			Material	Repair Part No.		
					LB05	LB07	LB10
1	Plug with o-ring			304 SS	6L3		
2	O-ring - plug			EPR	5L80		
3	Socket head screw			304 SS	13L65		
4	Casing with plug			304 SS	1L78		
5	O-ring - suction			EPR	5K300		
6	Nozzle/venturi assembly			Lexan® 500	3L20		
7	O-ring guide vane			EPR	5K322		
8	Guide vane			Lexan® 10% G.F.	3K65		
9	Impeller	LB05	4.50" Dia.	Noryl® GFN2	2K331		
		LB07	5.00" Dia.			2K829	
		LB10	5.25" Dia.				2K828
10	Mechanical seal - rotary			Carbon	10K18		
11	Mechanical seal - stationary			Sil-Carbide			
12	O-ring casing			EPR	5K193		
13	Motor adapter with inserts			Amodel® 45% G.F.	1K344		
14	Pipe plug			SAE 1018	6K2		
15	Hex cap screw			Steel (zinc plated)	13K194		
16	Base			Steel	4K450		
17	Rubber channel	48 Frame		BUNA	9K286		
		56 Frame			9K188		

HP	Motor Codes			
	1Ø - ODP	3Ø - ODP	1Ø - TEFC	3Ø - TEFC
½	SFJ04860R	SFE04873S	SFE04821S	SFE04876S
¾	SFJ05860R	SFE05873S	SFE05821S	SFE05876S
1	SFJ06860R	SFE06873S	SFE06821S	SFE06876S



**Xylem Inc.**

2881 East Bayard Street Ext., Suite A, Seneca Falls, NY 13148

Phone: (800) 453-6777 Fax: (888) 322-5877

[www.gouldswatertechnology.com](http://www.gouldswatertechnology.com)



Goulds is a registered trademark of Goulds Pumps, Inc. and is used under license.  
Noryl and Lexan are trademarks of GE Plastic. Amodel is a trademark of Solvay.

© 2016 Xylem Inc. RLB R1 February 2016